



The Picoprobe Model 140, a high performance microwave probe which incorporates a WR-8 waveguide with our patented coaxial design techniques, has inherent low loss and low dispersion characteristics. Like all of our Picoprobe microwave probes, the Model 140 features: individually spring loaded Beryllium-Copper tips which provide reliable contacts even when probing non-planar structures; direct viewing of probe tips for accurate positioning; and can be designed to almost any pitch and footprint. Smaller pitches and Ground-Signal-Ground footprints are recommended for optimum performance. Please contact our office for additional information regarding the performance specifications of the Model 140 Picoprobe.

Picoprobe Model 140 Microwave Probe

Durable

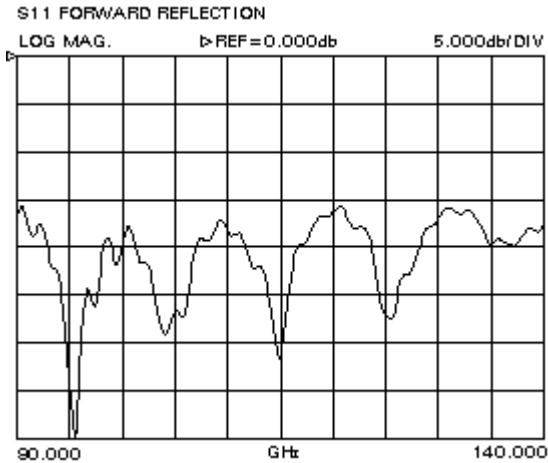
90 to 140 GHz

Patented Coaxial Design

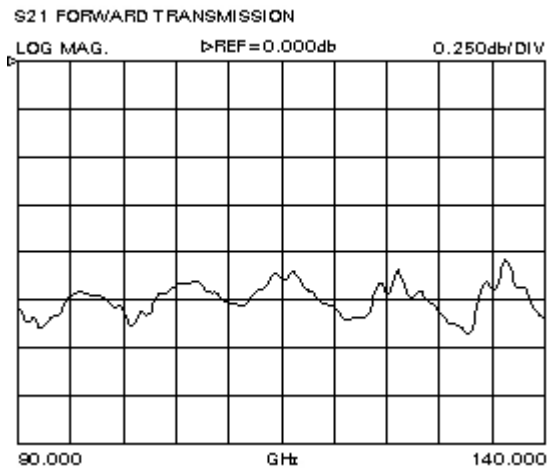
Individually Spring-loaded Contacts

Bias-T Option Available

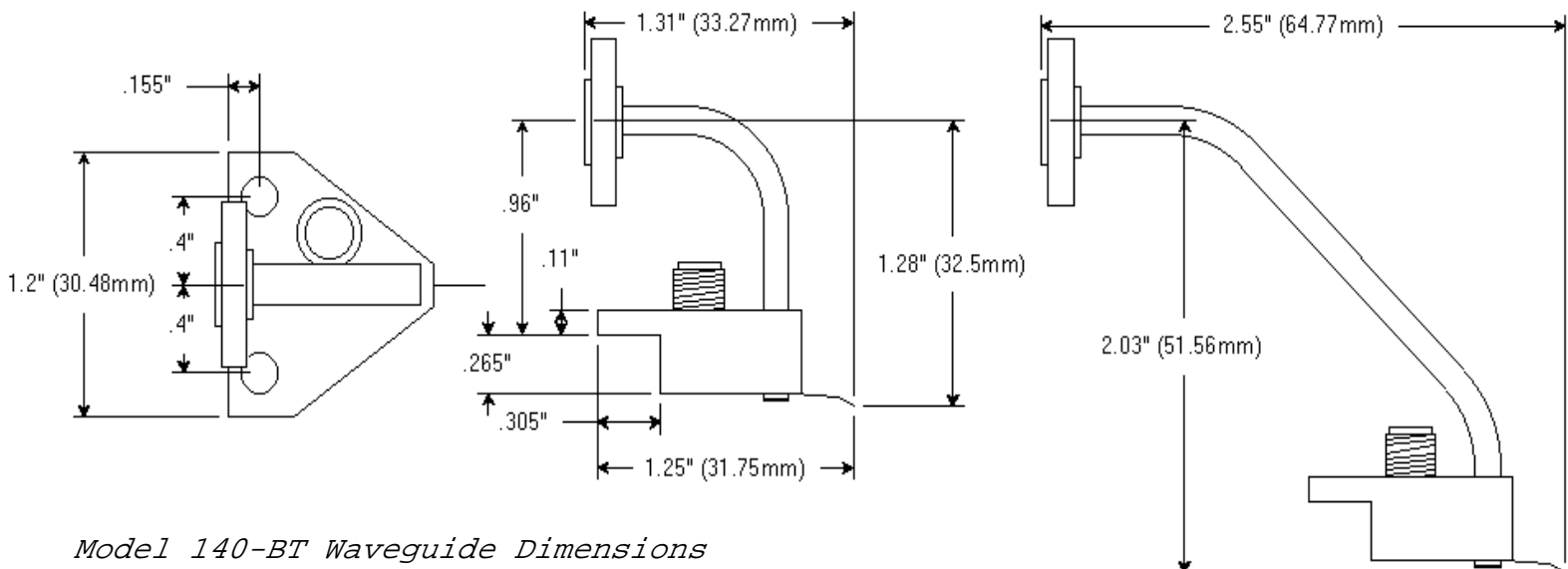




Left: Typical uncalibrated performance of a Model 140-GSG-100-BT



Left: Typical insertion loss of a Model 140-GSG-100-BT.



Model 140-BT Waveguide Dimensions

Model 140-BT-M Waveguide Dimensions