



Model 1100B

High Performance Microwave Probes



Features

- Durable
- 750 GHz to 1100 GHz
- Individually spring loaded contacts
- Bias T option available
- Rugged Coaxial design

Model 1100B Picoprobe® with bias T

The Model 1100B Picoprobe® sets new standards in microwave probing performance. Benefiting from coaxial techniques, which have inherent low loss and low dispersion characteristics.

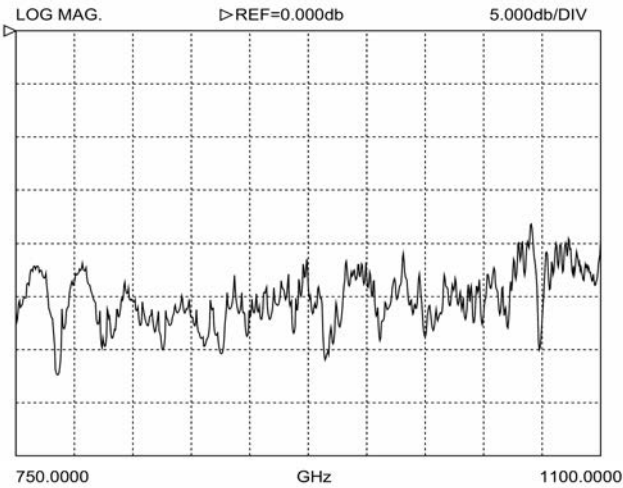
With its individually spring loaded, Beryllium-Copper tips, the Model 1100B Picoprobe® provides reliable low resis-

tance contacts. This reliable low resistance contact is one of the keys to providing highly repeatable measurements. The Model 1100B Picoprobe® also allows direct viewing of the probe tips for accurate positioning.

The Model 1100B Picoprobe® bias T provides a direct low resistance DC path

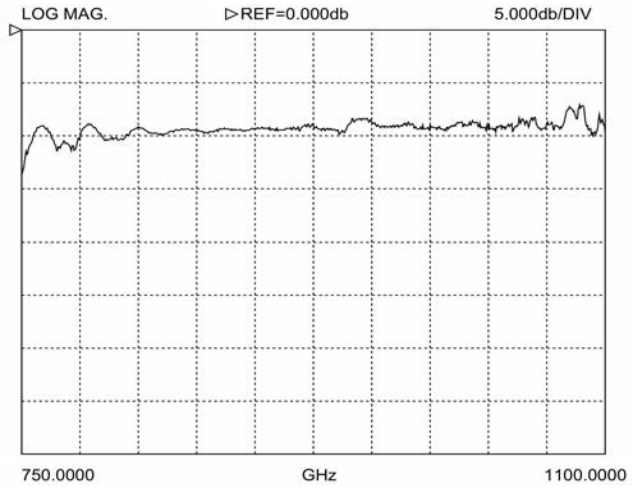
for supplying up to 100 mA to a device under test. The bias T also has special circuits which add loss at frequencies below the waveguide cut off frequency.

S11 FORWARD REFLECTION



Typical uncalibrated performance of a Model 1100B-GSG-25-BT while touching a 50 ohm load on our CS-15 calibration substrate.

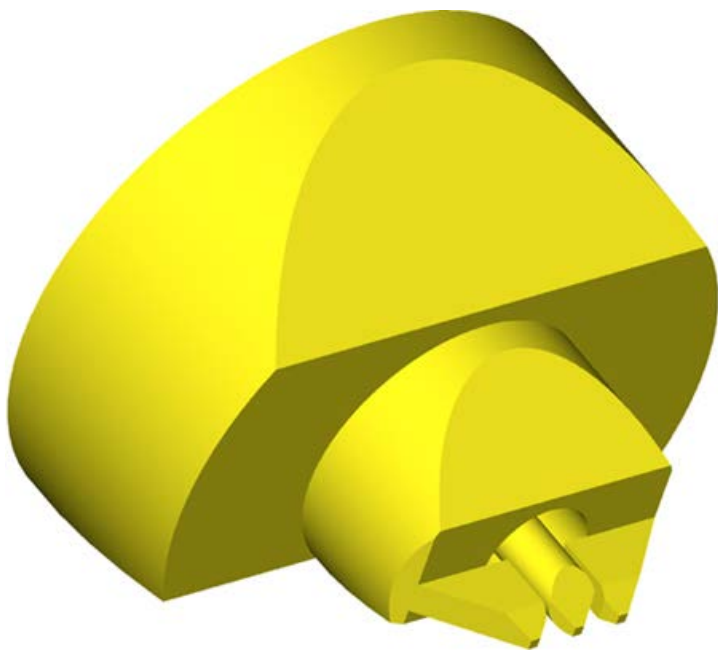
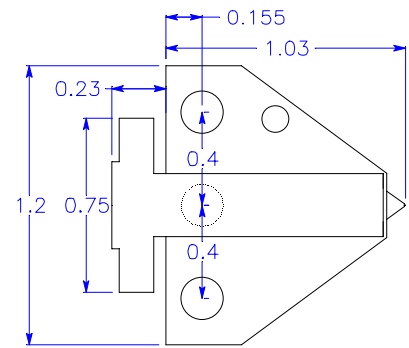
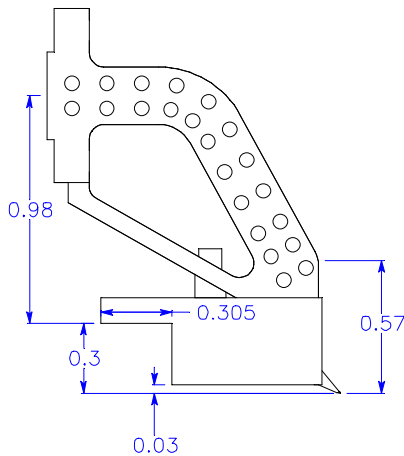
S21 FORWARD TRANSMISSION



Typical insertion loss of a Model 1100B-GSG-25-BT, which includes the integrated two inch section of WR-1.0 waveguide.

Model 1100B dimensions in inches

The probes also have a 3 hole mounting adaptor which will fit standard microwave probe stations.



Scale drawing of a 25 micron pitch Model 1100B probe tip assembly.

A new smaller coax was developed for the Model 1100B utilizing a 25 micron Au plated BeCu center conductor. The ground contacts are formed from 15 micron thick BeCu and extend just 38 microns from the end of the fully shielded coax.