

Picoprobe®

BY GGB INDUSTRIES INC.

Multi-Contact Wedge



An example of the Picoprobe® Multi-Contact Wedge with three 40 GHz probes and five dc needles.

The GGB Industries Multi-Contact Wedge allows for more chip design flexibility because it is custom configured to your circuit. Four Wedges can be used at the same time to probe a complete chip.

With its individually spring loaded, Beryllium-Copper tips, the Multi-Contact Wedge provides reliable contacts, even when probing non-planar structures. This reliable low resistance contact is one of the keys to providing highly repeatable measurements. The Multi-Contact Wedge also provides direct viewing of the probe tips for accurate positioning. When used

with standard microwave probe stations the Wedges can first be positioned to any microwave calibration standard and then moved into position on the MMIC or module to be tested.

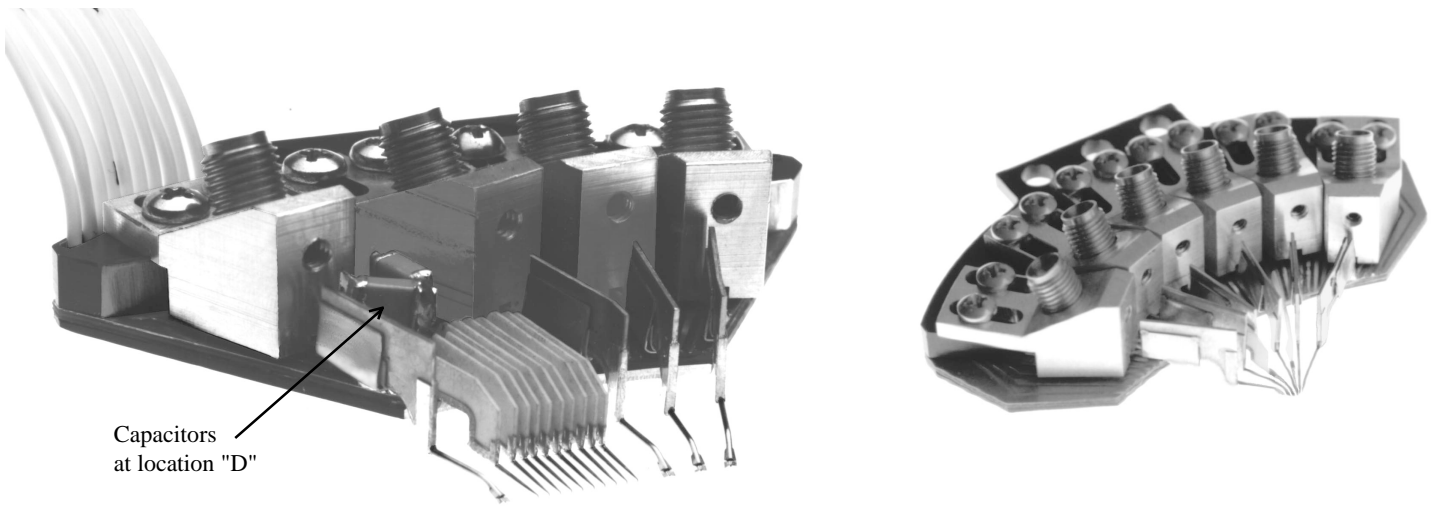
The probe points on a Wedge can even be set to different depths so that multi-level modules can be successfully probed. Any pitch (tip spacing) from 50 to 1250 microns may be specified. Larger pitch probes are available by special order. The probes can be configured with Ground-Signal-Ground (G,S,G), Ground-Signal (G,S), or Signal-Ground (S,G) tip footprints.

Features

- **Durable**
- **DC to 40, 50, 67 or 110 GHz**
- **Mix RF and DC Contacts**
- **Up to 9 RF probes per side**
- **For MMIC or Module probing**
- **Individually spring loaded contacts**
- **Inexpensive, fast, custom fabrication**
- **Each wedge custom made to your layout**
- **Patented coaxial design**

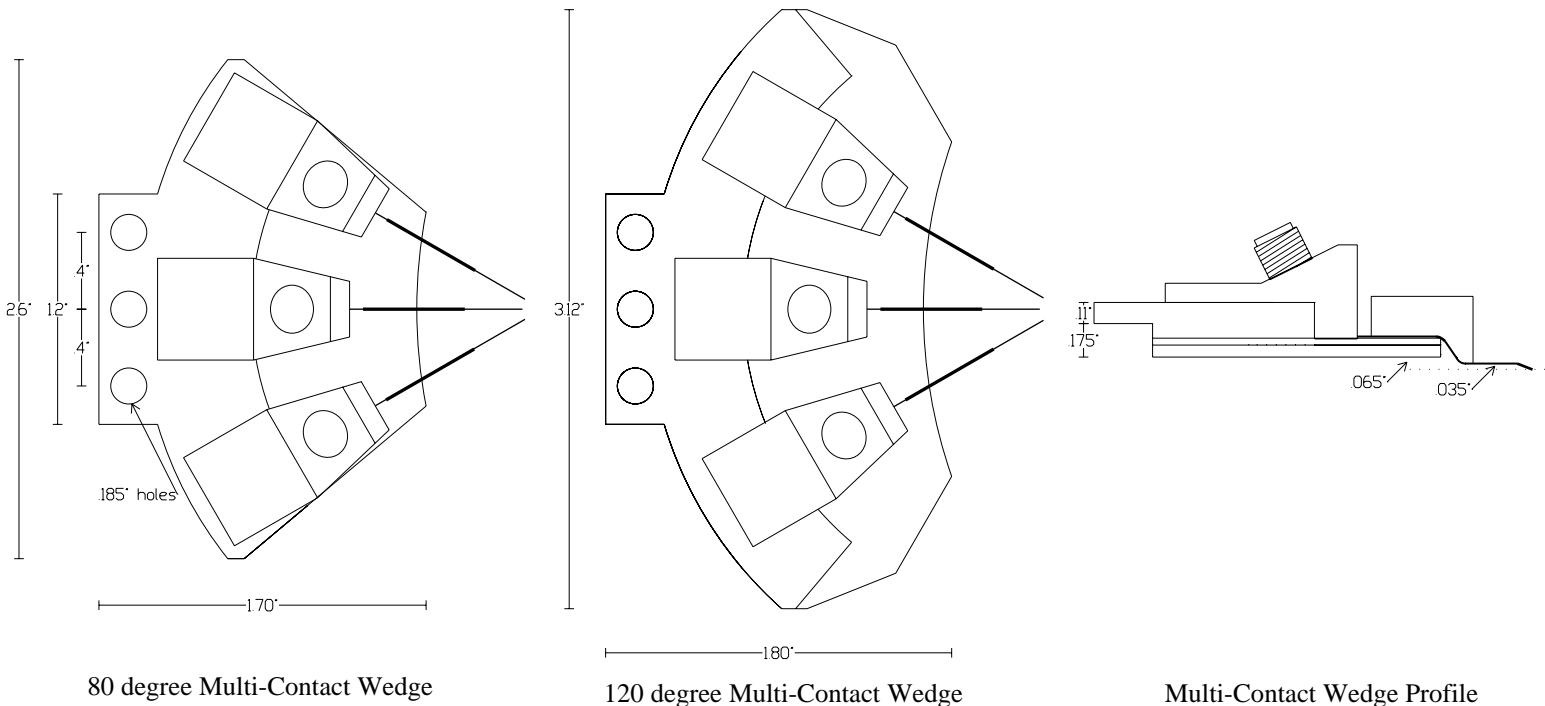
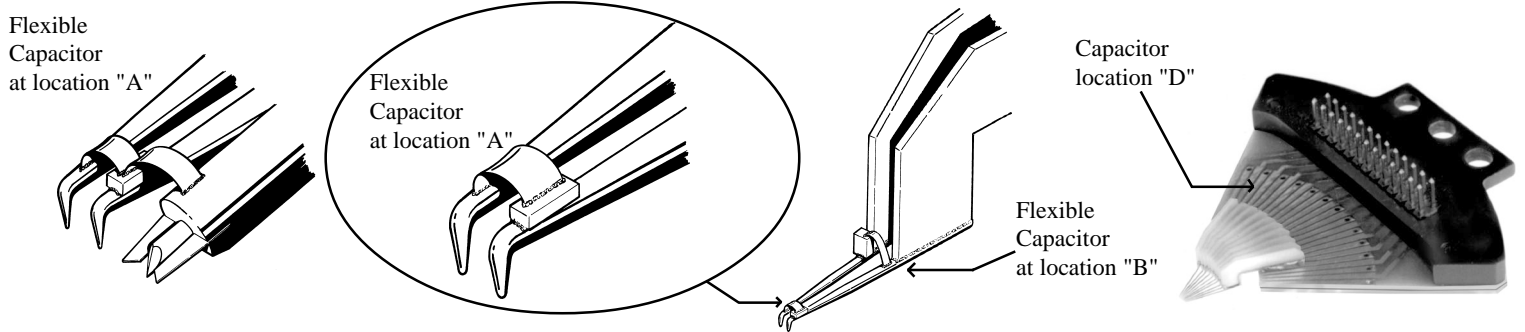
Connection to the Model 40A Picoprobe® is through a female K connector and is compatible with SMA and 3.5mm connectors. Connection to the Model 50A is via a female 2.4mm connector. Connection to the Model 67A is through a female V connector and is compatible with the 2.4mm connector. The 110H uses a 1.0mm connector.

Many other Multi-Contact Wedge designs are available, please refer to additional data sheets at: www.Picoprobe.com.



Two examples of the Picoprobe® Multi-Contact Wedge

Many different wiring configurations are available for the dc, power supply, or medium frequency needles. Ribbon cable, twisted pair, coaxial cable, and 22 AWG hook up wire are some of the types available. Our standard connectors include: flat cable-based connectors, banana plugs, BNC connectors, SMA connectors, (9, 15, 25, or 37 pin) D-Subminiature connectors, and 8, 14, 20, or 26 pin Post Headers and receptacles. The Post Headers have a double row of 0.025 inch pins on 0.1 inch centers. Many other connectors can be specified.



80 degree Multi-Contact Wedge

120 degree Multi-Contact Wedge

Multi-Contact Wedge Profile

Covered by US patent # 4,871,964

GGB INDUSTRIES, INC. • P.O. BOX 10958 • NAPLES, FL 34101
 Telephone (239) 643-4400 • Fax (239) 643-4403 • E-mail email@ggb.com • www.picoprobe.com



DC Multi-Contact Wedge

Features

- **Durable**
- **Up to 26 DC probe needles**
- **Contacts are a dual row of 0.025 inch square pins on 0.1 inch centers**
- **Direct viewing of probe needles**
- **3 Capacitor bypass locations available**
- **Inexpensive, fast, custom fabrication**
- **Each wedge custom made to your layout**

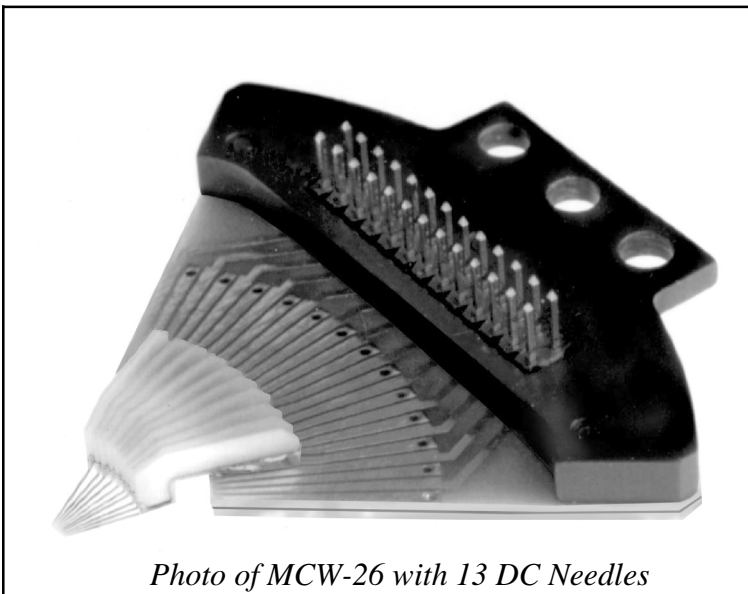
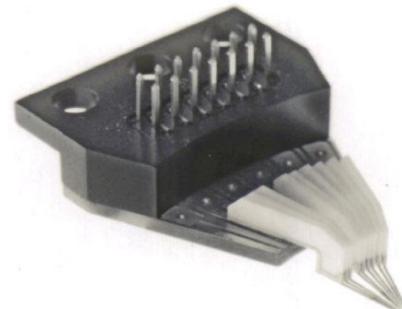


Photo of MCW-26 with 13 DC Needles

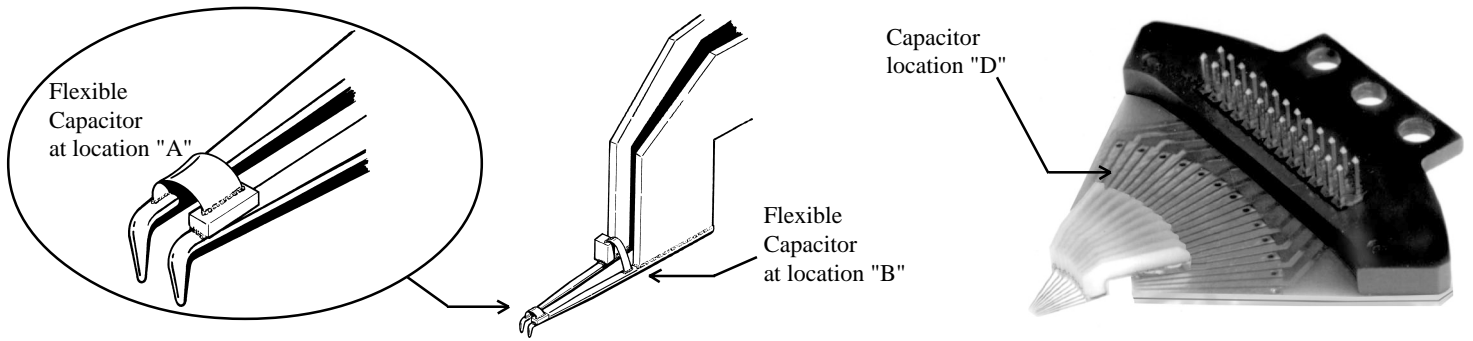
The DC Multi-Contact Wedge Series by GGB Industries, Inc., is a flexible alternative to providing either dc or power to a circuit for testing purposes. Each wedge is custom fabricated to your circuit layout and offers three alternative locations for capacitors, direct viewing of probe needles for accurate positioning, and can be configured with either a 14 pin, 20 pin, or 26 pin connector. The connector consists of a dual row of 0.025 inch square pins on 0.1 inch centers, providing the user with a highly flexible and useful tie-in point.

Probe needles on the DC Multi-Contact Wedge can be set to different depths so that multi-level modules can be successfully probed.

The unique design of the DC Multi-Contact Wedge Series ensures reliable contacts, even when probing non-planar structures and allows for easy positioning when used with any standard microwave probe station.

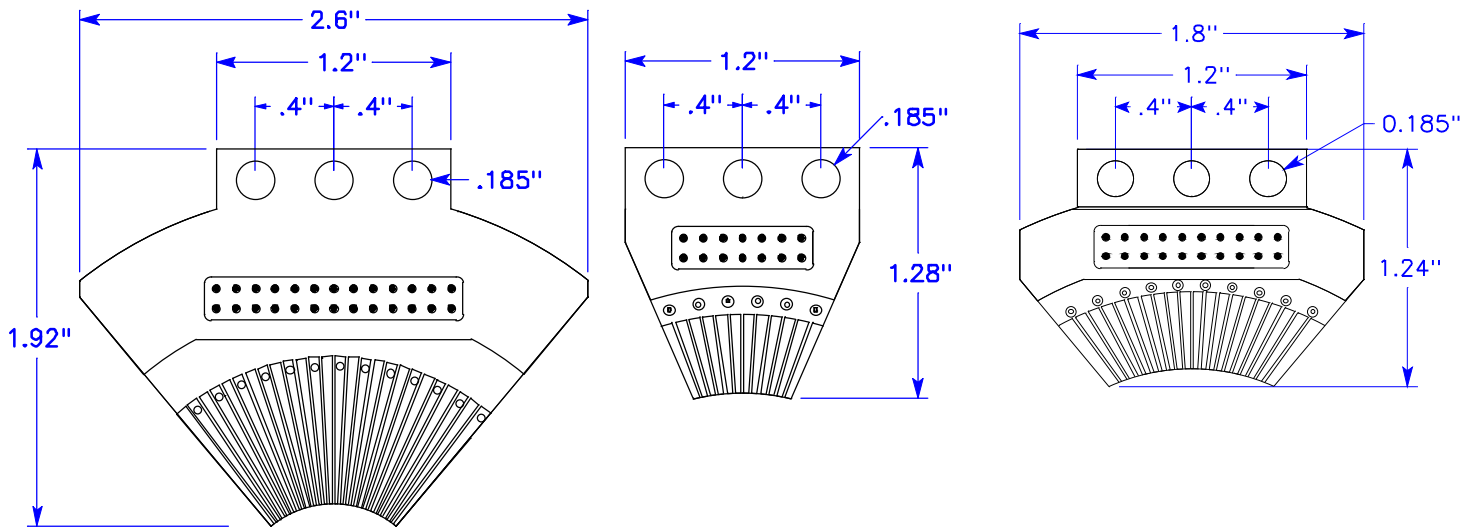


A MCW-14 configured with 9 DC needles.



Bypass capacitors for the power supply pins are available in three different locations ("A", "B", and "D") using a process patented by GGB Industries, Inc.

DC Multi-Contact Wedge Series Dimensions



Contacts are a dual row of 0.025 inch square pins on 0.1 inch centers.

Additional Multi-Contact Wedge configurations not shown here are also available. Please contact our office for details.